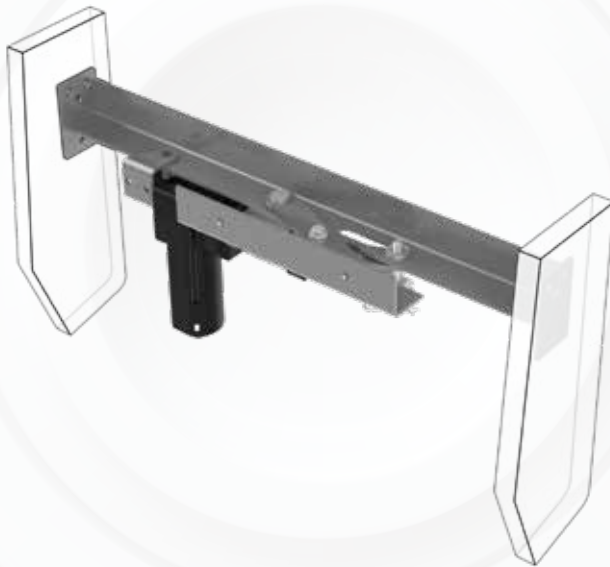


2812

LUMBAR



 **Standard Sizes (mm)**
Custom sizes available

Installation Size
380
407
430
457
508.2
535
585
607.8
652
660
684
731

Technical data:

- 1/ Allows very slim backrest design.
- 2/ Simple design, easy assembly.
- 3/ Lumbar support stroke: 65mm.
- 4/ Available in different widths.