

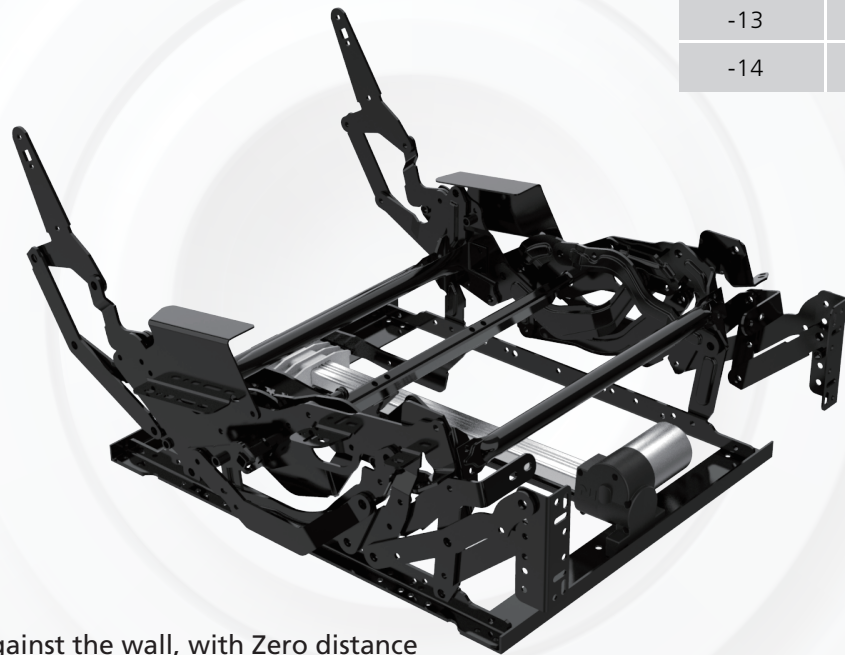
9145D

METAL-TO-THE-FLOOR

ZERO-WALL



Standard Sizes (mm) Custom sizes available	
Seat Width	Installation Size
-1	533
-2	558.4
-3	583.8
-4	609.2
-5	634.6
-6	660
-7	685.4
-8	710.8
-9	736.2
-10	761.6
-11	787
-12	812.4
-13	837.8
-14	863.2



Technical data:

- 1/ The backrest leans completely against the wall, with Zero distance
- 2/ Unique backrest design prevents clothes from pulling and provides better lumbar support
- 3/ Seat height compression design, reduced by 50mm
- 4/ Large diameter crossbar and long-lasting rivet joints
- 5/ KD back brackets allow easy back removal for handling and transportation
- 6/ Available in standard and custom sizes

